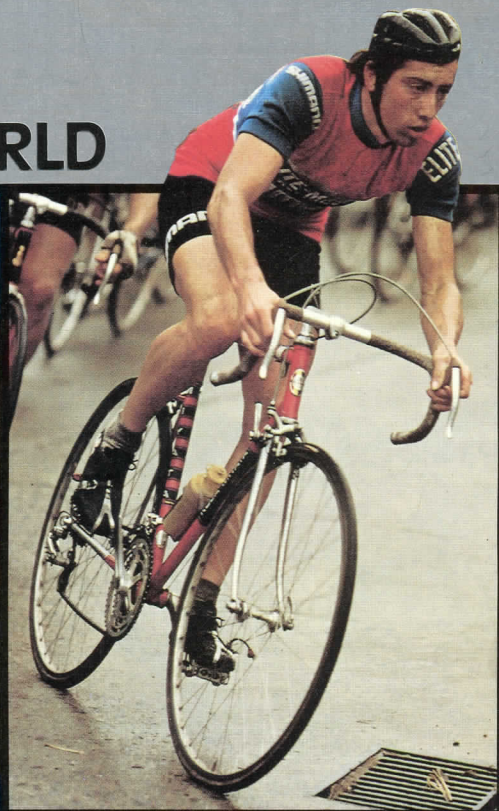




# MIYATA

## RACING SPECIALISTS OF THE WORLD



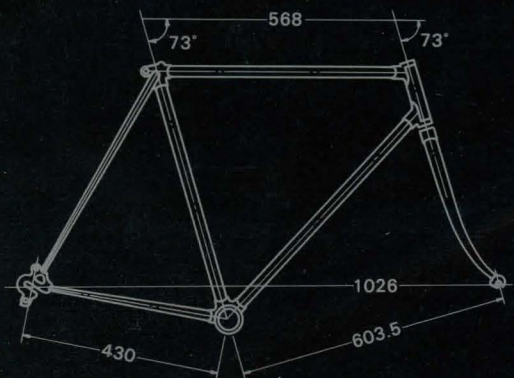
1 - Daniel Willems, 2 - Uwe Boltin, 3 - Theo de Rooij,  
 4 - Andre Dierckx, 5 - Ludwig Winands, 6 - Dirk Wavenberg,  
 7 - Pi. Verschuren, 8 - Ludo Peeters, 9 - Rudi Pevenage,  
 10 - Jos van den Poel, 11 - Ludo DeCroix, 12 - Marin Demeyer,  
 13 - Gery Verhinden, 14 - Eric van den Wiele, 15 - Staf van  
 Roosbroeck, 16 - Ronny Claes, 17 - Jos Jacobs, 18 - Guido  
 van Sweevelt, 19 - Rudi Colman, 20 - Willy de Ghesst.  
 Technical manager: A - Jos Jansen, B - Willy Jossart, C -  
 Walter Goderoot, D - Hans van Vliet.

# miyata Model 1000



The model 1000 is truly an ultra efficient touring bicycle. It is designed to take you across town or across the country. The frame is constructed of straight gauge chrome molybdenum tubing for even flex and maximum strength under load. The long wheel base provides to help smooth riding on rough roads. A 40 spoke rear wheel is provided to increase wheel strength where it is most needed. In addition; cantilever brakes are brazed onto the frame providing the most efficient braking system possible under any condition. All cycling conditions are easily managed with a total of 15 gear choices achieved by using a triple front gear and 5 speed rear cluster. This combination allows maximum gear distribution while providing accurate chain alignment through the greatest range of gears. The Miyata 1000 is the most outstanding machine ever designed.

Frame Sizes : men's 23"



Frame colors

Royal blue

Burgundy



# Miyata Model 912



A custom built bicycle of exceptional quality for the serious cycling enthusiast. Designed with racing in mind, the 912 offers everything desirable.

The frame is built with Tange 4140 double butted chrome molybdenum tubing using Miyata's latest techniques of hand brazing. The head and seat angles are  $73 \times 74$  degrees. The lugs are special long pointed style hand filed to mesh perfectly to the frame tubing.

The rims are Araya model 20 A, specially designed for their superior strength and lightweight. The added feature of using 700x25C tires and rims allows the rider to interchange with the tubular racing style wheels.

The excellent component features include Tange New Levin head set and complete Shimano 600-EX road group. Accessories included are the plastic water bottle with alloy cage, toe clips, and straps.

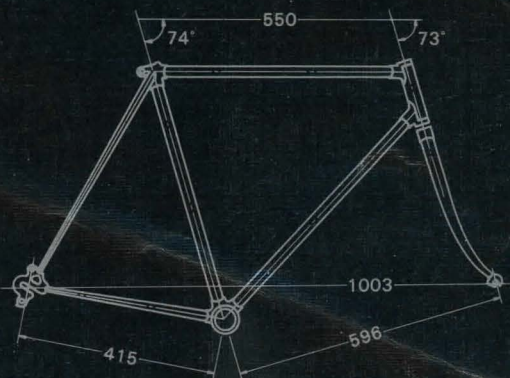


Frame colors

Black

Orange

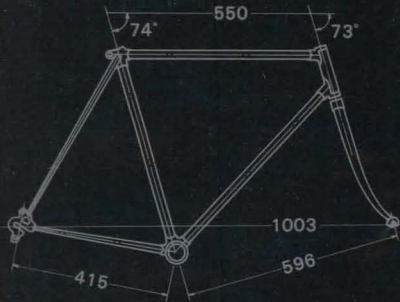
Frame Sizes : men's 23"



# Miyata Model 710

Miyata uses the same high performance design as the model 310 but adds 4140 double butted chrome molybdenum tubing, tapered rear stays, and special Suntour GS adjustable rear dropouts. This model includes several brazed on features such as cable guides, downtube stop for shift levers, and a water bottle mount. These features have been brazed on the Model 710 to prevent loosening from vibration and to enhance its appealing appearance. Light alloy rims with 90 lbs. tires provide easy rolling on any surface you choose. For fast removal both wheels come with quick release hubs. The model 710 is for the more sophisticated sport rider or commuter minded enthusiast who wants typical quality in every detail. Quality you expect with convenience you demand the Miyata 710 has it all.

Frame Sizes : men's 23"



Frame colors

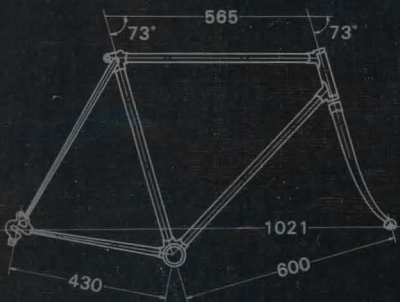
Ming Brown

Camel Beige

# Miyata Model 610

The model 610 is designed to satisfy the cost conscious cyclist who is unwilling to accept compromise in material, quality or design. Because of this, the frame is constructed from 4140 chrome molybdenum tubing. This is the finest available for producing a lightweight extremely strong frame. Miyata has also added brazed on cable guides for a more professional appearance. Extensive use of the latest design in alloy components gives the rider everything he needs for cycling enjoyment.

Frame Sizes : men's 23"



Frame colors

Silver

Black

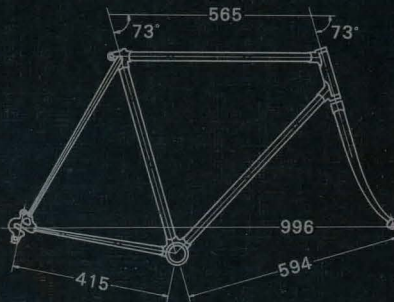
Burgundy



# Miyata Model 310

This is the first Miyata bicycle in the line that caters to the more serious rider. Whether it be for racing, commuting, or just for fun, the 310 is the ideal bicycle. The frame on this model is made to provide a shorter overall wheelbase than model 210. This provides a more responsive cycle because there is less flexibility in the frame which allows more energy to be transferred from the pedals to the wheels. The weight of the model 310 bicycle has been substantially reduced due to the greater use of lighter alloy components including rims, handlebars, and derailleurs.

Frame Sizes : men's 23"



Frame colors

Silver blue

Black

Burgundy



# Miyata Model 310M

# Miyata Model 210

This is a deluxe version of model 110. Both models use #1024 hi-tension steel tubing for frame, especially selected by Miyata to provide lightweight along with superior strength. Additional features found on the Model 210 include alloy hubs, quick release front wheel for easy removal during transportation, and power stem mounted shifters. Miyata has added a specially designed bracket on the rear dropout which allows the rear derailleur to be mounted directly to the frame. This provides more precise shifting because the focal point for the mount never changes position. This specially designed bracket also provide for fewer derailleur adjustments.

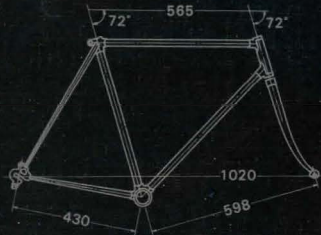


Frame colors

Silver blue

Brown

Frame Sizes : men's 23"

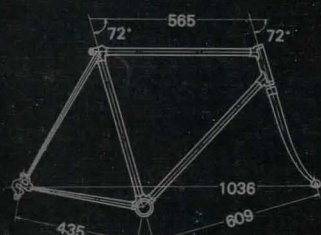


# Miyata Model 110

A budget priced sporting bicycle designed to provide years of service with a minimum of upkeep. The Miyata 110 is an ideal bike for the casual rider who desires a comfortable ride. The Miyata frame tubing and construction allows the very minimum of road shock to be transferred to the rider.

All components, including ; Suntour derailleurs, Dia compe alloy brakes, and S.R. crankset, are designed to work together for the greatest cycling enjoyment.

Frame Sizes : men's 23"



Frame colors

Silver blue

Red



# Miyata Model 110L

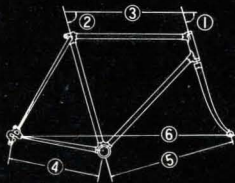
# FRAME-SETS

## Model / FP

Winning races is the only purpose of this fantastic frame. Already proving itself in European professional road racing.

The design is developed to meet the demands of the IJSBOERKE-KOGA-MIYATA-WARNCKE team, one of three strongest professional racing team in Europe. The frame is the best, incorporating the most carefully selected Tange Champion chrome molybdenum steel tubing. It is Precisely assembled using Miyata professional cut-out lugs lovingly hand brazed by highly experienced craftsmen using special low temperature brazing technique.

The Model FP is a true racing frame of the highest international standards.



Frame color: blue

Frame size	①	②	③	④	⑤	⑥
500 <sup>mm</sup>	71"	74"	520	413	586	990
540 <sup>mm</sup>	72"	74"	535	413	588	991
580 <sup>mm</sup>	73"	74"	550	413	590	992
630 <sup>mm</sup>	73"	74"	575	413	610	1013

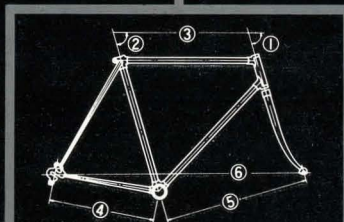


## Model / 1000

The frame is constructed of lightweight highly durable chromoly tubing and Tange champion long point lugs with diamond pattern decorative hole, completely hand brazed.

Both to prevent loosening from vibration and make fine appearance, small fittings such as cable stops, water bottle basement and cable guides etc, are all brazed on to the frame. One more point you should be aware of is a small device brazed on the right chainstay. Its purpose is to eliminate excessive chain whip when shifting.

Frame size	①	②	③	④	⑤	⑥
19 1/2"	72"	73"	540	430	592	1017
21"	73"	73"	568	430	603.5	1026
23"	73"	73"	568	430	603.5	1026
25"	73"	73"	568	430	603.5	1026



## Model / 912

This frame is designed from the ideal features of racing frame skelton. Constructed of Double butted chrome molybdenum tubing with Miyata's original long point lugs and hand brazed. The forged and machined rear fork ends are equipped with adjusting screws. Seat stays are with cocaved spoon type top. All cable guides, bottle basement are brazed on to the frame.

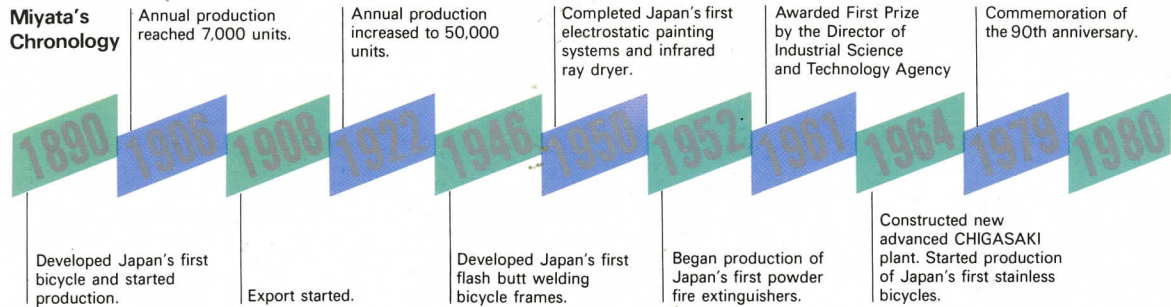
Frame size	①	②	③	④	⑤	⑥
19 1/2"	72"	74"	520	415	580	989
21"	72"	74"	535	415	585	992
23"	73"	74"	550	415	596	1003
25"	73"	74"	580	415	620	1025

# Miyata..... Japan's most Experienced manufacturer of top quality Bicycles

## Miyata's history is the history of the development of bicycles in Japan

Miyata Industry Co., Ltd. the oldest in its field in Japan, was established in 1890 and has been manufacturing bicycles for over 90 years. Miyata's Chigasaki Plant is the largest bicycle factory in the Orient and produces 60,000 bicycles a month, featuring the latest facilities and conveyor assembly-line systems. Miyata's long experience and the most up-to-date techniques assure you the finest bicycles at reasonable prices.

We wish to cordially invite you to inspect the Chigasaki plant on your next trip to Japan. We are confident that our bicycles will more than satisfy your customers.



## Superb Craftsmanship for Superb Bicycles



Miyata's lightweight frames handmade by expert craftsmen combine strength and high performance. Every component is manufactured under strict quality control and inspection.

## MIYATA BICYCLE LIMITED WARRANTY

- 1) Warrantee: This warranty warrants only to the original retail purchaser of the bicycle and is not transferable.
- 2) Miyata bicycle frames are warranted to be free from defects in materials and workmanship under normal use of the bicycle for lifetime of the bicycle.
- 3) Defective parts: All original parts, except tires, tubes & cables are warranted for one year from the date of purchase. During the warranty period, all original parts as determined by Toyoda found to be defective in workmanship or material will be repaired or replaced free of charge except for shipping and dealer labor charge.
- 4) How to claim warranty: All claims under this warranty must be made through an authorized MIYATA dealer during the relevant warranty period. To obtain warranty service, the owner must return the defective bicycle to an authorized MIYATA dealer for inspection with purchase receipt or other evidence showing the date of purchase.
- 5) If the original dealer is no longer available or is inconveniently located, the name of an authorized dealer nearest to you can be obtained from Toyoda whose address is stated below.
- 6) Warranty exclusions: This warranty does not cover failure due to accident, abuse, neglect, normal wear, improper assembly, improper fit, maintenance by any other than an authorized MIYATA dealer, or use of unauthorized replacement parts. This warranty does not cover any personal injuries, damage or failure of the bicycle if used in any competitive event, including bicycle racing, motocross, stunt, or similar activities or when in training for same. Motors or other accessories inconsistent with the use intended by Miyata will negate this warranty.
- 7) This warranty is expressly in lieu of any other express warranty and any implied warranty including any warranty of merchantability or fitness is limited in duration to the duration of this express warranty. (Some states do not allow limitation on how long implied warranty lasts, so the above limitation may not apply to you.)
- 8) We shall not be responsible for consequential or special damages nor for transportation charges or for dealer labor charge except as set forth above.
- 9) This warranty gives you specific legal rights, and you may also have other rights which vary from state to state.



Manufactured by: MIYATA INDUSTRY CO., LTD.

Distributed by: TOYODA AMERICA, INC. New York, Chicago, Los Angeles

Authorized Dealer



# '80 Model Specificaton



\* Colors shown are samples only—actual colors may be slightly different.  
\* Specifications subject to change without notice.

MODEL	MODEL 1000	MODEL 912	MODEL 710	MODEL 610	MODEL 310	MODEL 210	MODEL 110	MODEL 110L
FRAME SIZE	19 1/2" 21", 23", 25"	19 1/2", 21", 23", 25"	19 1/2", 21", 23", 25"	19 1/2", 21", 23", 25", 27"	19 1/2", 21", 23", 25" and 19 1/2" Mkte	19 1/2", 21", 23", 25"	19 1/2", 21", 23", 25"	19 1/2" (Loop type)
FRAME MATERIAL	TANGE Champion plain Chromoly main tubing MIYATA Professional lugs, with SUN TOUR GS ends.	TANGE Champion Double butted chromoly tubing. Long point fully lugged with SUN TOUR GS ends.	TANGE Champion Double butted chromoly tubing. Fully lugged with SUN TOUR GS ends.	MIYATA Chromoly tubing, Fully lugged	MIYATA Hi-tension steel tubing, Lugged.	MIYATA Hi-tension steel tubing, Lugged.	MIYATA Hi-tension steel tubing, Lugged.	MIYATA Hi-tension steel tubing, Lugged.
FRONT FORK	MIYATA Hi-tension steel tubing with special crown & forged ends.	MIYATA Hi-tension steel tubing with special crown & forged ends.	MIYATA Hi-tension steel tubing with special crown & forged ends.	MIYATA Hi-tension steel tubing with special crown.	MIYATA Hi-tension steel tubing with forged ends.	MIYATA Hi-tension steel tubing.	MIYATA Hi-tension steel tubing.	MIYATA Hi-tension steel tubing.
HEAD SET	TANGE New T'ALCON	TANGE New Levin	TANGE MA-60	TANGE MA-60	TANGE MA-60	TANGE MA-60	TANGE MA-60	TANGE MA-60
HANDLE BAR	SAKAE AND, Alloy Randomneur.	SAKAE CTD, Alloy.	SAKAE CTD, Alloy.	SAKAE AND, Alloy.	SAKAE CTD, Alloy	STEEL C.P. KD-4L	STEEL CP KD-4L	STEEL CP KE-36
STEM	SAKAE Apex-1H, forged Alloy.	SAKAE RY-KM Forged Alloy.	SAKAE SRAH Alloy.	SAKAE SRAH Alloy.	SAKAE SRAH Alloy.	S-WIN-AH Alloy.	S-WIN-AH Alloy	S-WIN60-AH Alloy
BRAKES	DIA COMPE i: 60 Center pull, Cantilever type, with hooded levers w/0.R.	SHIMANO 600EX Side pull with hooded levers w/rubber pad.	DIA COMPE It 500G Side pull with hooded levers w/rubber pad.	DIA COMPE 610 Center pull with hooded levers w/0.R. & safety levers.	DIA COMPE f: 500 Side pull with hooded levers Front w/0.R.	DIA COMPE i: 610 Center pull with hooded levers w/safety levers, Front w/0.R.	DIA COMPE i: 730 Side pull with hooded levers w/safety levers.	DIA COMPE U-730 Side pull with touring levers.
DERAILLEURS	SUN TOUR Front-Cyclone Aear-CyclOne GT Shifter-PDL-S	SHIMANO Front-600EX Rear-600EX, Shifter-PDL-EX	SUN TOUR Front-VX, Rear-VGT, Shifter-PDL-M	SUN TOUR Front-VX, Rear-VGT, Shifter-PUB-10	SUN TOUR Front-VX, Aear-VXS, Shifter-PDL-M	SUN TOUR Front-Seven, Rear-Seven, Shifter-PUB-10	SUN TOUR Front-Seven, Rear-Seven, Shifter-UB-10	SUN TOUR Front-Seven, Rear-Seven, Shifter-UB-10
CLUSTER	SUN TOUR Pro-COMPE 14-28 teeth, Gold.	SHIMANO 6-Speed for 600EX Freehub 13-28 teeth	SUN TOUR Pro-Compe 14-32 teeth, Gold.	SUN TOUR Pro-Compe 14-32 teeth, Gold.	SUN TOUR Pro-Compe 14-28 teeth, Gold.	SUN TOUR Perfect 14-28 teettf	SUN TOUR Perfect 14-28 teeth.	SUN TOUR Perfect 14-28 teeth.
CHAIN	HKK 1/2" x 3/32" Gold special chain	SHIMANO 1/2" x 7/32" eoyG Gold/Black	SHIMANO -1" x i2" 600UG Gold/Black	SHIMANO 1/2" x 3/32" 600UG Gold/Black.	KEC -1" x 1/2"	KEC 1" x 1/2"	KEC 1" x 1/2"	KEC 1" x 1/2"
CRANK SET	SAKAE Super APEX-5TG, 52 x 47 x 34 teeth, with 170mm forged alloy cranks.	SHIMANO 600EXLD 52x42 teeth, 170mm cranks alloy.	SAKAE Silster SORG-AH 52x42 teeth, 165mm cranks (for 19", 21") 170mm cranks (for 23", 25")	SAKAE Silster 5DX-AH 52 x 40 teeth, 165mm cranks (for 19", 21") 170mm cranks (for 23", 25", 27")	SAKAE Silster SOX-AH 52 x 42 teeth, 165mm cranks (for 19", 21") 170mm cranks (for 23", 25")	SAKAE Silster SOX-AH 52 x 40teeth, 165mm cranks (for 19", 21") 170mm cranks (for 23", 25")	SAKAE Silster SDXC 52 x 40 teeth, 165mm cranks (for 19", 21") 170mm cranks (for 23", 25")	SAKAE Silster SDXC 52 x 40 teeth, 165mm cranks.
PEDALS	MKS Ouil-2K Alloy	MKS RT-TP Alloy	MKS QRK1 Alloy	SAKAE SP-300	KKT AT-EI	KKT RT-EI	KKT AT-EI	KKT AT-EI
TIRES	MYT 27"x11" Skin, side wall, 90 lbs. Hi-pressure.	MYT 700 x 25C Skin side wall, 100 lbs. Hi-pressure with French pattern valves.	MYT 27" x 1A" G.S.W, 100lbs Hi-pressure	MYT 27"x11" G.S.W. 90 lbs. Hi-pressure.	MYT 27"x11" G.S.W.90 lbs. Hi-pressure	MYT 27"x11" G.S.W. 75 lbs.	MYT 27"x11" G.S.W. 75 lbs.	MYT 27" x H" G.S.W. 75 lbs.
RIMS	27 x 1 1/2" Alloy Front-H Rear-40H	700C Model 20A Alloy.	27"x11" Alloy narrow type	27"x11" Alloy	27"x1 1/2" Alloy.	27"x1 1/2" steel	27"x1 1/2" steel	27"x11" steel
SPOKES	#14, u.c.p. Front-36 pcs Rear-40 pcs	#14, u.c.p. w/brass nipples.	#14, u.c.p. w/brass nipples	#14, u.c.p. w/brass nipples.	#14, u.c.p. brass nipples.	#14, u.c.p.	#14, u.c.p.	#14, u.c.p.
HUBS	SUNSHINE GYAO-MASTEA low flange alloy with front & rear Quick release: Front-36H, Aear-40H	SHIMANO 600EX, Freehub low flange alloy with front & rear quick release.	SUNSHINE Alloy low flange with front & rear Quick release.	SUNSHINE Alloy front Hi-flange & rear low flange with front & rear Quick release.	SUNSHINE Alloy low flange front with Quick release & rear with blind nuts.	SUNSHINE Alloy front Hi-flange with Quick release & rear low flange with blind nuts.	Steel c.p. Front semi-large flange & rear low flange with nuts.	Steel C.P. Front semi-large flange & rear low flange with nuts.
SADDLE	ARIAKE JaQuar-11 77-IS padded	ARIAKE JaQuar-1J 77CDX padded	ARIAKE 77-17-IS padded	ARIAKE 77-17-IS padded.	ARIAKE 77-17 Quilted vinyl & padded.	ARIAKE 77-17 Quilted vinyl & padded.	ARIAKE 77-17 quilted vinyl & padded.	ARIAKE 77-17 quilted vinyl & padded.
SEAT PILLAR	SAKAE GT-PS, Alloy	SAKAE CT-PS, Alloy	SAKAE CT-PS, Alloy black anodized.	Alloy anodized 9'	Alloy anodized 9'	MIYATA Chrome plated 9'	MIYATA Chrome plated 9'	MIYATA Chrome plated 9'
EXTRA	Toe clips and straps, Orinkbottle, Alloy carriers, Alloy spoke protector, Reflectors.	Toe clips and straps, Drink bottle, Plastic spoke protector, Reflectors.	Alloy spoke protector, Reflectors.	Alloy spoke protector, Reflectors.	Alloy spoke protector, Reflectors.	Alloy spoke protector, Reflectors.	Alloy spoke protector, Reflectors.	Alloy spoke protector, Reflectors, Mudguards,
COLOR	Royal blue, Burgundy	Black, Burgundy, Orange	Ming Brown, Camel Beige	Silver, Black, Burgundy	Silver blue, Black, Burgundy	Silver blue, Brown	Silver blue, Burgundy, Red	Silver blue, Red
WEIGHT APPROXIMATELY	27 lbs. (21")	23 lbs. (19 1/2")	24 lbs. (19"-21")	25 lbs. (19 1/2")	26 lbs. (19 1/2")	29 lbs. (19 1/2")	30 lbs. (19 1/2")	32 lbs. (19 1/2")